

Quick Guide

Quick-release clamp for laser scanner carbon tripod for FARO Focus^{3D} & Trimble TX5

1 General

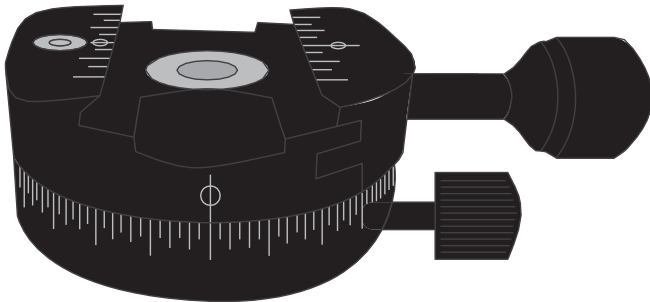
Product features: quick-release clamp panorama head

- For mounting on the tripod
- Length: 111 mm, Width: 70 mm, Height: 37 mm
- Weight: 0.35 kg, Maximum load capacity: 8 kg
- With spirit level, 3/8-inch internal thread
- Scale from 0° to 360°

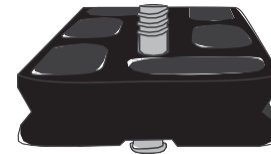
Quick-release clamp removable adapter plate

- For mounting on the laser scanner
- Reduces wear on the horizontal drive of the laser scanner
- Length: 70 mm, Width: 38 mm, Height: 10 mm Weight: 43 g,
- 3/8-inch thread
- Firm hold and protection as a result of rubberized material

2 Scope of delivery

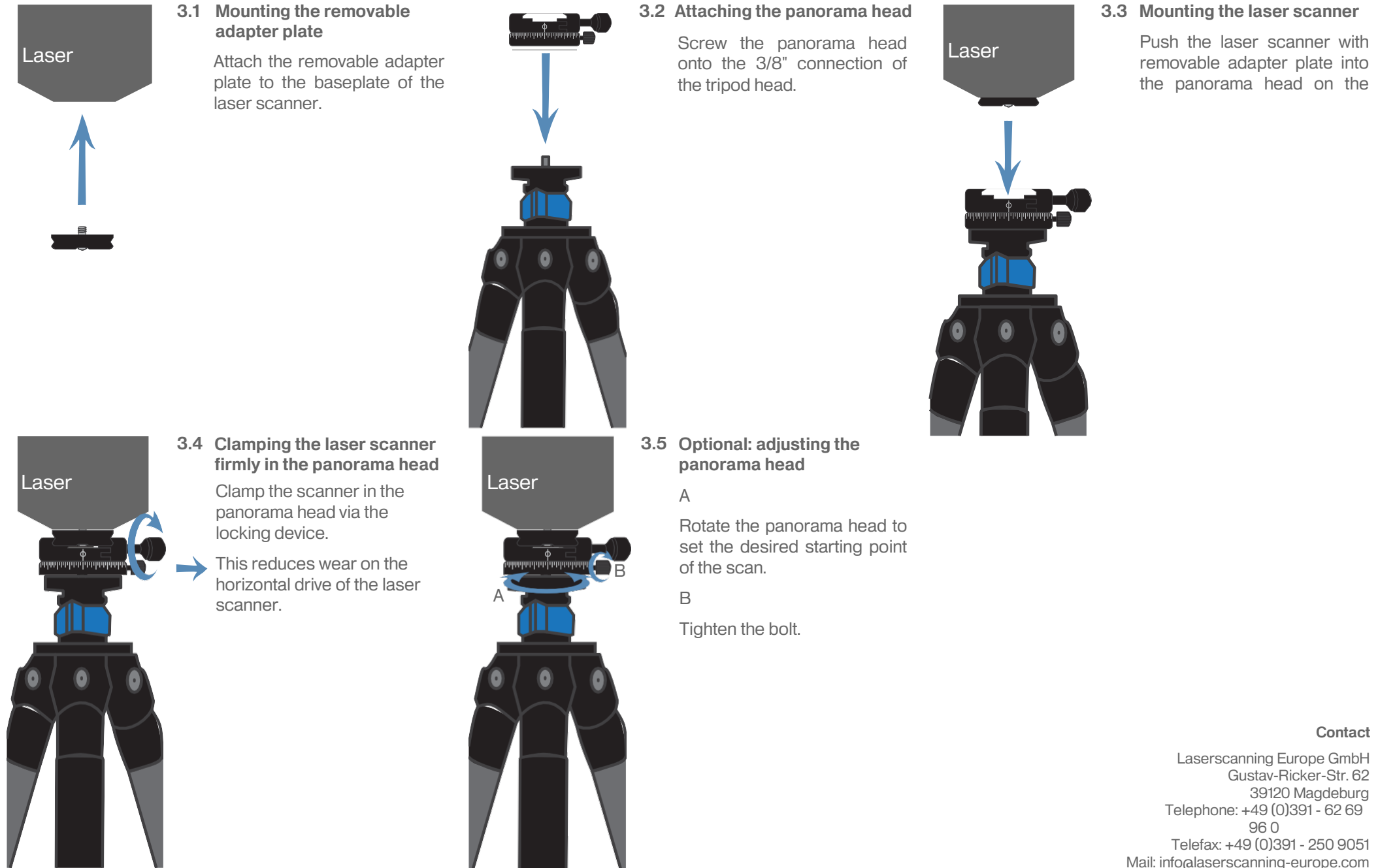


Quick-release clamp panorama head



Quick-release clamp removable adapter plate

3 Mounting the quick-release clamp on the tripod and scanner



Contact

Laserscanning Europe GmbH
 Gustav-Ricker-Str. 62
 39120 Magdeburg
 Telephone: +49 (0)391 - 62 69
 96 0
 Telefax: +49 (0)391 - 250 9051
 Mail: info@laserscanning-europe.com